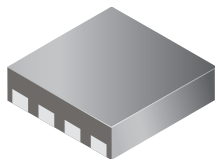


## Low Voltage DC Motor Driver

### Features and Benefits

- Constant voltage operation (adjustable)
- 500 mA output peak rating
- Low power standby mode
- Small 2 mm × 2 mm, 0.55 mm nominal height DFN package
- Typical input voltage range of 3 to 5.5 V
- Adjustable constant voltage or PWM operation
- Less than 500 nA standby mode current
- -40 to 85 operating temperature range

### Package: 8 Contact DFN (suffix EE)



Approximate Scale 1:1

### Description

The A3903 is a low voltage bidirectional DC motor driver with a typical input voltage range of 3 to 5.5 V and output currents up to 500 mA. The unique output full-bridge incorporates source-side linear operation to allow a constant voltage across the motor coil. This regulated output minimizes motor voltage change due to  $I \times R_{DS(on)}$  variation and battery voltage tolerance.

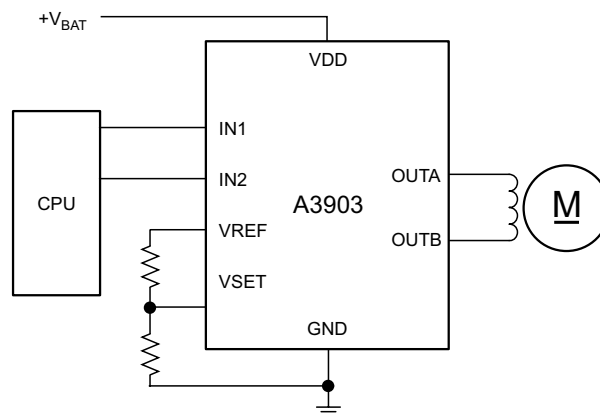
Logic input pins are provided to control the motor direction of rotation, brake, and standby (< 500 nA supply current) modes and to allow optional PWM of the sink drivers. Internal protection circuitry includes thermal shutdown, undervoltage lockout, and crossover current (shoot-through) protection.

The A3903 is supplied in a 2 mm x 2 mm, 0.55 mm nominal height, 8-lead DFN package, with exposed thermal pad (package suffix EE). This small footprint package is lead (Pb) free, with 100% matte tin leadframe plating.

Applications include:

- Robotic actuators and pumps
- Portable printers/scanners
- Camera lens/shutter control
- Battery powered toys and games
- Low noise test instrumentation systems

### Typical Application



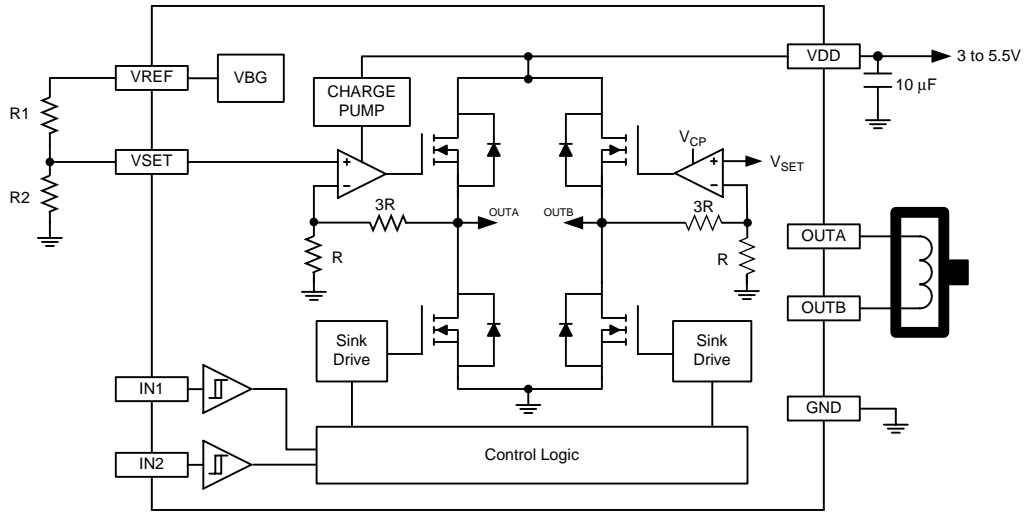
## Selection Guide

Part Number	Packing
A3903EEETR-T	Tape and reel, 3000 pieces/reel

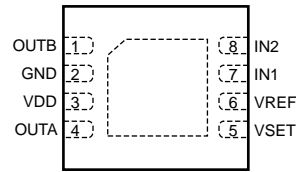
## Absolute Maximum Ratings

Parameter	Symbol	Conditions	Min.	Typ.	Max.	Units
Supply Voltage	$V_{DD}$		–	–	6	V
Logic Input Voltage Range	$V_{IN}$		–0.3	–	6	V
Output Current	$I_{OUT}$				500	mA
Junction Temperature	$T_J$		–	–	150	°C
Storage Temperature Range	$T_{stg}$		–40	–	150	°C
Operating Temperature Range	$T_A$	Range E	–40	–	85	°C

Functional Block Diagram



Terminal Diagram



(Top View)

Number	Name	Description
1	OUTB	Motor terminal
2	GND	Ground
3	VDD	Input supply
4	OUTA	Motor terminal
5	VSET	Select source-side output voltage
6	VREF	Bandgap reference
7	IN1	Control logic input
8	IN2	Control logic input

### ELECTRICAL CHARACTERISTICS at $T_A=25^\circ\text{C}$ , and $V_{DD} = 3$ to $5.5$ V, unless otherwise noted

Characteristics	Symbol	Test Conditions	Min.	Typ.	Max.	Units
Supply Current	$I_{DD}$		–	0.5	2	mA
	$I_{DDSTB}$	Standby mode	–	–	500	nA
UVLO Enable Threshold	$V_{DDUVLO}$	$V_{DD}$ rising	–	–	2.6	V
UVLO Hysteresis	$V_{UVHYS}$		–	120	–	mV
Thermal Shutdown Temperature	$T_{JTSD}$	Temperature increasing.	–	165	–	$^\circ\text{C}$
Thermal Shutdown Hysteresis	$T_{JHYS}$	Recovery = $T_{JTSD} - T_{JHYS}$	–	15	–	$^\circ\text{C}$
Logic Input Low Level	$V_{IL}$		–	–	$V_{DD} \times 0.3$	V
Logic Input High Level	$V_{IH}$		$V_{DD} \times 0.7$	–	–	V
Input Hysteresis	$V_{HYS}$		–	$V_{DD} \times 7\%$	–	mV
Logic Input Current	$I_{IN}$	$V_{IN} = 0$ to $5$ V	–1	0	1	$\mu\text{A}$
Output Driver						
Sink Driver Output Resistance	$R_{DS}$	$V_{DD} = 5$ V, $I_{OUT} = 500$ mA	–	0.6	–	$\Omega$
		$V_{DD} = 3$ V, $I_{OUT} = 500$ mA	–	0.8	–	$\Omega$
Source Driver On Resistance	$R_{DS(on)}$	$V_{DD} = 5$ V, $I_{OUT} = 500$ mA	–	0.6	–	$\Omega$
		$V_{DD} = 3$ V, $I_{OUT} = 500$ mA	–	0.65	–	$\Omega$
Bandgap Reference	VBG		1.235	1.285	1.335	V
Gain	$A_V$	$V_{OUT} / V_{SET}$	3.9	4	4.1	V/V

### THERMAL CHARACTERISTICS

Characteristics	Symbol	Test Conditions	Rating	Unit
Package Thermal Resistance*	$R_{\theta JA}$	Measured on 4-layer board based on JEDEC standard	49	$^\circ\text{C/W}$

\*Additional thermal information is available on the Allegro Web site.

## Functional Description

**Voltage Regulation** The A3903 regulates the voltage across the motor coil. The voltage across the OUTA and OUTB terminal is sensed and compared to an internal threshold voltage. The high-side switch will be driven in linear mode to keep the applied voltage maintained at the calculated level, as follows:

$$V_{OUT} = 4 \times V_{REF} (R_2 / [R_1 + R_2]) .$$

Then, for forward mode:

$$V_{OUT} = V_{OUTA} - V_{OUTB} ,$$

and for reverse mode:

$$V_{OUT} = V_{OUTB} - V_{OUTA} .$$

The alternative method is to provide a tightly regulated voltage to the motor supply pin and run the source and sink drivers as switches. The voltage drop across these switches will vary linearly with temperature and current, therefore the voltage across the motor coil also will vary. The A3903 will eliminate these sources of error for a system where controlling the motor voltage is the optimum means of control.

**Thermal Shutdown** The A3903 will disable the outputs if the junction temperature,  $T_J$ , reaches 165°C. There is 15°C of hysteresis, so when the junction temperature drops below 150°C, the device will begin to operate normally.

**Dropout Mode** The source and sink drivers have a total  $R_{DS(on)}$  of approximately 1.2  $\Omega$  total. When the motor supply voltage,  $V_{DD}$ , drops too low compared to the regulated value, the IC enters dropout mode. In this case, the voltage across the motor coil will be:

$$V_{MOTOR} = V_{DD} - I_{LOAD} (R_{DS(sink)} + R_{DS(src)})$$

**Brake Mode** When both inputs are high, the A3903 goes into high-side brake mode (turns on both source drivers). There is no protection during braking, so care must be taken to ensure that the peak current does not exceed the absolute maximum current,  $I_{OUT}$ .

**Standby Mode** To minimize battery drain, standby mode will turn off all of the circuitry and draw typically less than 100 nA from the VDD line. There will be a very short delay, approximately 2  $\mu$ s, before enabling the output drivers after release of standby mode.

**Power Dissipation.** Power can be approximated based on the below three components:

$$P_{D(src)} = I_{LOAD} (V_{DD} - V_{REG}) ,$$

$$P_{D(sink)} = I_{LOAD} \times R_{DS(sink)} , \text{ and}$$

$$P_{bias} = V_{DD} \times I_{DD} .$$

Control Logic Table

Settings				Resulting Mode
IN1	IN2	OUTA	OUTB	
0	0	Off	Off	Standby
0	1	Low	$V_{REG}$	Reverse
1	0	$V_{REG}$	Low	Forward
1	1	High	High	Brake

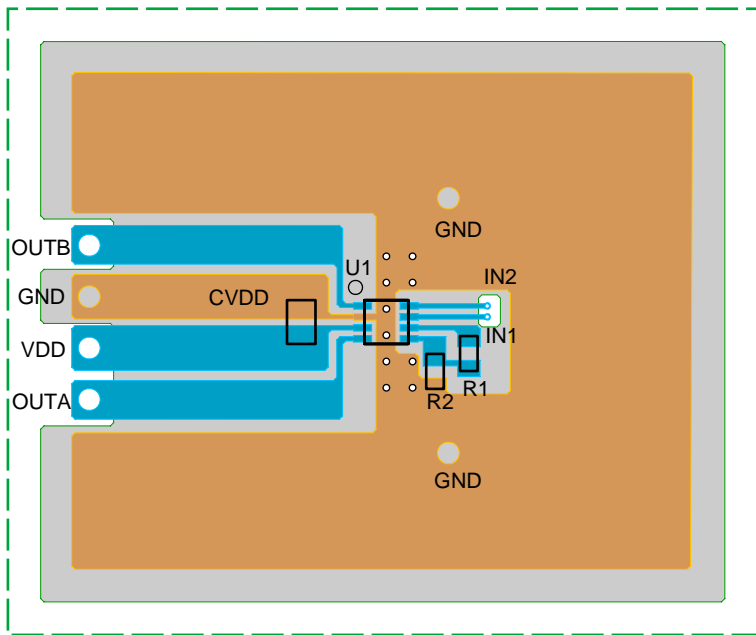
## Application Information

### Layout

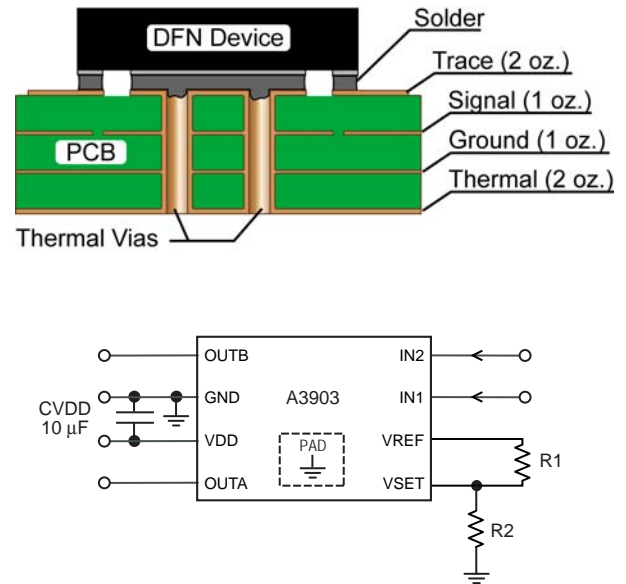
The printed circuit board should use a heavy ground-plane for optimum thermal performance. The A3903 must be soldered directly onto the board. On the underside of the A3903 package is an exposed pad, which provides a path for enhanced thermal dissipation. The thermal pad should be soldered directly to an exposed surface on the PCB. Thermal vias are used to transfer heat to other layers of the PCB. Thermal vias should not have any thermal relief and should be con-

nected to internal layers, if available, to maximize the dissipation area.

**Grounding** In order to minimize the effects of ground bounce and offset issues, it is important to have a low impedance, single-point ground, known as a *star ground*, located very close to the device. By making the connection between the exposed thermal pad and the groundplane directly under the A3903, that area becomes an ideal location for a star ground point. A low impedance ground will prevent ground bounce



A3903 Evaluation Board



during PWM operation and ensure that the supply voltage remains stable at the input terminal. Bulk capacitance is often located at a non-ideal distance from the device. If the recommended capacitance of 10  $\mu\text{F}$  cannot be located very close to the supply terminal on the A3903, it is recommended that a 0.1  $\mu\text{F}$  capacitor be placed as close to the VDD terminal as possible to provide transient currents.

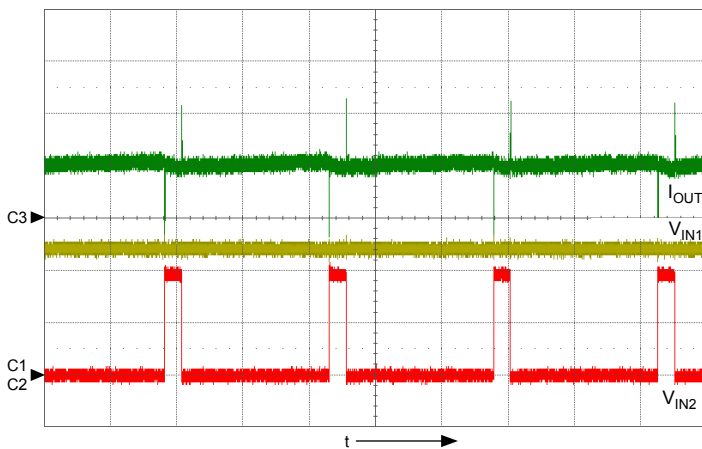
### PWM Operation

In some applications current control may be desired. Pulse width modulating the inputs will allow the output current to be regulated. When external PWM control is used, the VREF pin should be connected directly to the VSET pin. This effectively disables voltage control on the source driver, and allows maximum current to flow through the driver. Current

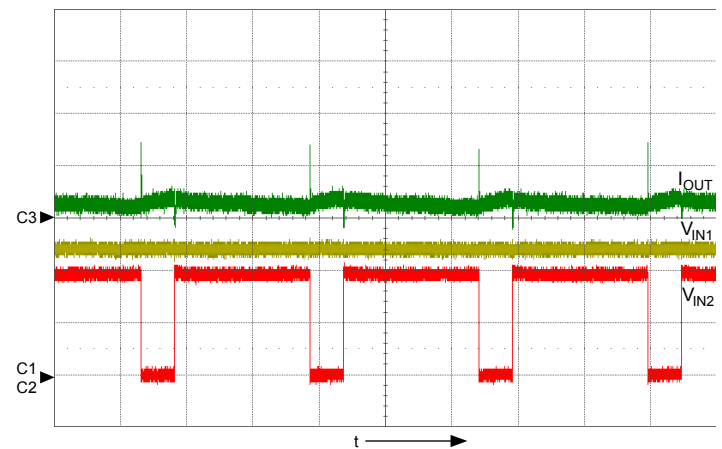
is then controlled using *enable chopping*, described below.

**Enable Chopping** By PWMing the logic inputs between enable and brake modes, the current in the motor winding can be controlled. It is accomplished by holding one input high while PWMing the other input. During the on-cycle, current flows in the bridge consistent with the direction programmed on the input pins. During the off-cycle, the A3903 enters brake mode. Enable chopping is illustrated in figure 1.

Current in the motor winding is controlled by changing the duty cycle on the PWM input. As shown in figure 2, the average current is still positive but, because the duty cycle is less, the average current is much lower.



Symbol	Parameter	Units/Division
C1	$V_{IN1}$	2 V
C2	$V_{IN2}$	2 V
C3	$I_{OUT}$	100 mA
t	time	20 $\mu\text{s}$

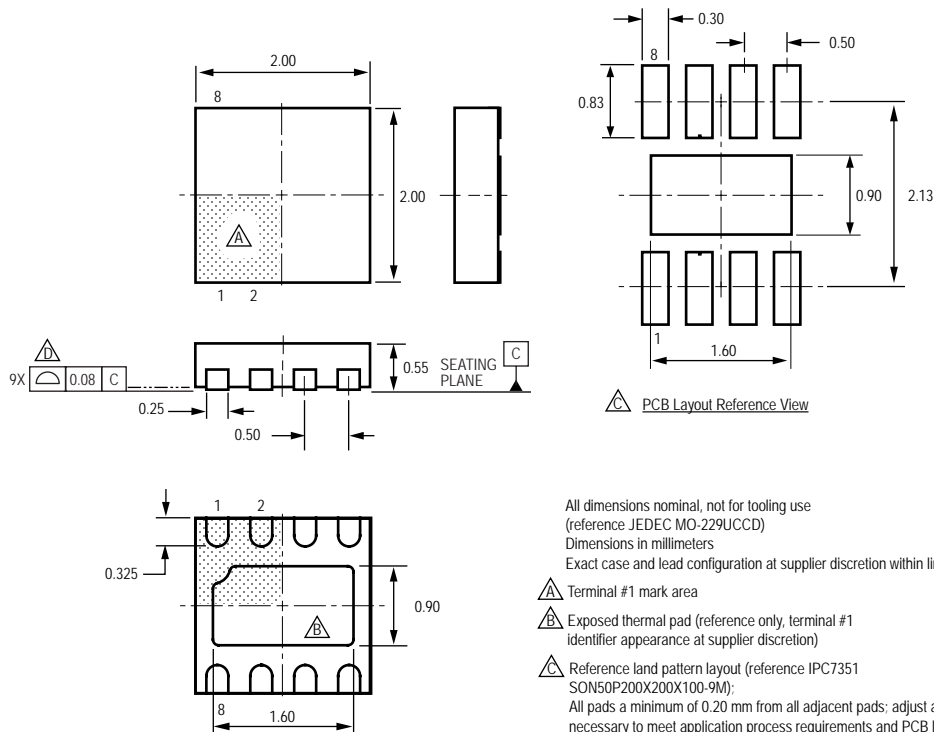


Symbol	Parameter	Units/Division
C1	$V_{IN1}$	2 V
C2	$V_{IN2}$	2 V
C3	$I_{OUT}$	100 mA
t	time	20 $\mu\text{s}$

Figure 1. Enable chopping. Forward direction, output duty cycle 90%.

Figure 2. Enable chopping. Forward direction, output duty cycle 20%.

## Package EE, 8-contact DFN



All dimensions nominal, not for tooling use  
(reference JEDEC MO-229UCCD)  
Dimensions in millimeters  
Exact case and lead configuration at supplier discretion within limits shown

- Terminal #1 mark area
- Exposed thermal pad (reference only, terminal #1 identifier appearance at supplier discretion)
- Reference land pattern layout (reference IPC7351 SON50P200X200X100-9M);  
All pads a minimum of 0.20 mm from all adjacent pads; adjust as necessary to meet application process requirements and PCB layout tolerances; when mounting on a multilayer PCB, thermal vias at the exposed thermal pad land can improve thermal dissipation (reference EIA/JEDEC Standard JESD51-5)
- Coplanarity includes exposed thermal pad and terminals

Copyright ©2007, Allegro MicroSystems, Inc.

The products described here are manufactured under one or more U.S. patents or U.S. patents pending.

Allegro MicroSystems, Inc. reserves the right to make, from time to time, such departures from the detail specifications as may be required to permit improvements in the performance, reliability, or manufacturability of its products. Before placing an order, the user is cautioned to verify that the information being relied upon is current.

Allegro's products are not to be used in life support devices or systems, if a failure of an Allegro product can reasonably be expected to cause the failure of that life support device or system, or to affect the safety or effectiveness of that device or system.

The information included herein is believed to be accurate and reliable. However, Allegro MicroSystems, Inc. assumes no responsibility for its use; nor for any infringement of patents or other rights of third parties which may result from its use.

For the latest version of this document, visit our website:

[www.allegromicro.com](http://www.allegromicro.com)



Allegro MicroSystems, Inc.  
115 Northeast Cutoff  
Worcester, Massachusetts 01615-0036 U.S.A.  
1.508.853.5000; [www.allegromicro.com](http://www.allegromicro.com)